

# FILTERHOUSINGS

## FOR COMPRESSORS | BLOWERS | VACUUM PUMPS

### FILTERHOUSINGS FOR COMPRESSORS AND BLOWERS

#### **Threaded connection M12x1.5 – 4"**

This filter typology is used for vacuum pumps, blowers and compressors.

The housing is completely made out of epoxy powder painted iron, that guarantees an optimal adaptability in all environments.

The inlet interchangeable cartridge is in paper or polyester with plastisol or iron heads and NBR gaskets. This product could be equipped with M12x1.5 to 4" threaded connection.



#### **Bail connection 1/2" – 5"**

This filter typology is used for vacuum pumps, blowers and compressors.

The housing is completely made out of epoxy powder painted iron, that guarantees an optimal adaptability in all environments.

The inlet interchangeable cartridge is in paper or polyester with plastisol or iron heads and NBR gaskets. This product sells with PVC tube for bail connection 1/2" – 5".



# FILTERHOUSINGS

## FOR COMPRESSORS | BLOWERS | VACUUM PUMPS

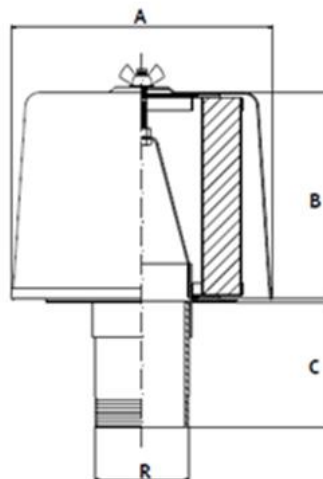
### FILTERHOUSINGS FOR COMPRESSORS AND BLOWERS

#### Male GAS Threaded Connections – SERIES 10 - Dimensions

Painted black iron housing

Filtermedia in:

- Paper (codes as mentioned)
- Polyester (.. = /P behind mentioned codes)



Code	h/m3	R	Type	A	B	C	D	E	KG
EAG-F.001..	24	GAS 3/8"	F	80	66	12	39	45	0.25
EAG-F.002..	42	GAS 3/4"	F	110	76	14	53	54	0.56
EAG-F.002/1..	42	GAS 1/2"	F	110	76	14	53	54	0.56
EAG-F.003..	108	GAS 1 1/4"	F	170	141	17	93	96	1.75
EAG-F.004..	96	GAS 1 1/4"	F	133	85	17	53	78	0.96
EAG-F.004/1..	85	GAS 1"	F	133	85	17	53	78	0.96
EAG-F.005..	192	GAS 1 1/2"	F	170	170	18	124	100	2.10
EAG-F.006..	310	GAS 2"	F	200	240	18	124	114	3.80
EAG-F.006/1..	360	GAS 2 1/2"	F	200	240	18	124	114	3.90
EAG-F.006/30..	390	GAS 3"	F	200	240	18	124	114	3.95
EAG-F.007..	550	GAS 3"	F	270	180	50	145	165	12.5
EAG-F.008..	720	GAS 4"	F	270	180	50	145	165	13.8

# FILTERHOUSINGS

## FOR COMPRESSORS | BLOWERS | VACUUM PUMPS

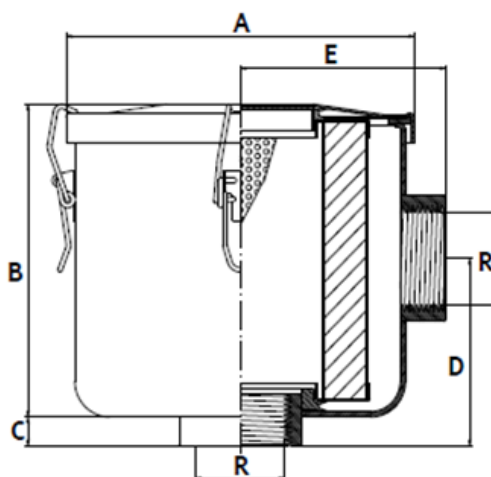
### FILTERHOUSINGS FOR VACUUM PUMPS

#### Male GAS Threaded Connections - Dimensions

Painted black iron housing

Filtermedia in:

- Paper (codes as mentioned)
- Polyester (.. = /P behind mentioned codes)



Code	h/m3	R	Type	A	B	C	D	E	KG
EAG-F.002/1.10	42	GAS 1/2"	M	110	76	14	53	54	0.56
EAG-F.003.10	108	GAS 1 1/4"	M	170	141	17	93	96	1.75
EAG-F.004.10	96	GAS 1 1/4"	M	133	85	17	53	78	0.96
EAG-F.006.10	360	GAS 2"	M	200	240	18	124	114	3.80
EAG-F.007.10	550	GAS 3"	M	270	180	50	145	165	12.5
EAG-F.002/1.10/P	42	GAS 1/2"	M	110	76	14	53	54	0.56
EAG-F.003.10/P	108	GAS 1 1/4"	M	170	141	17	93	96	1.75
EAG-F.004.10/P	96	GAS 1 1/4"	M	133	85	17	53	78	0.96
EAG-F.006.10/P	360	GAS 2"	M	200	240	18	124	114	3.80
EAG-F.007.10/P	550	GAS 3"	M	270	180	50	145	165	12.5

# FILTERHOUSINGS

## FOR COMPRESSORS | BLOWERS | VACUUM PUMPS

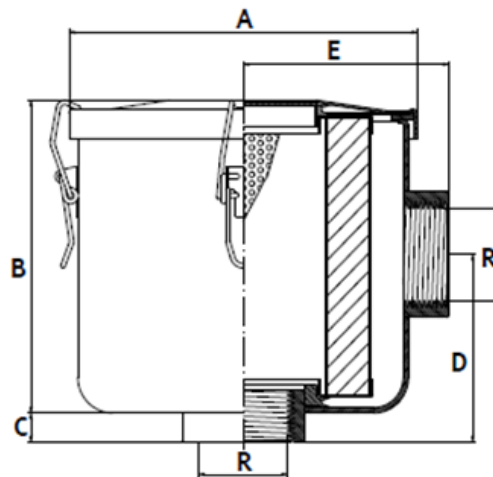
### FILTERHOUSINGS FOR VACUUM PUMPS

#### Female NPT Threaded Connections - Dimensions

Painted black iron housing

Filtermedia in:

- Paper (codes as mentioned)
- Polyester (.. = /P behind mentioned codes)



Code	h/m3	R	Type	A	B	C	D	E	KG
EAG-F.004/3/..	96	NPT 1 1/4"	F	133	85	17	53	78	0.96
EAG-F.003/3/..	108	NPT 1 1/4"	F	170	141	17	93	96	1.75
EAG-F.004/5/..	108	NPT 1 1/2"	F	170	141	17	93	96	1.75
EAG-F.005/3/..	192	NPT 1 1/2"	F	170	170	18	124	100	2.10
EAG-F.006/3/..	310	NPT 2"	F	200	240	18	124	114	3.80
EAG-F.006/5/..	360	NPT 2 1/2"	F	200	240	18	124	114	3.90
EAG-F.008/2/..	720	NPT 4"	F	270	180	50	145	165	13.8

# FILTERHOUSINGS

## FOR COMPRESSORS | BLOWERS | VACUUM PUMPS

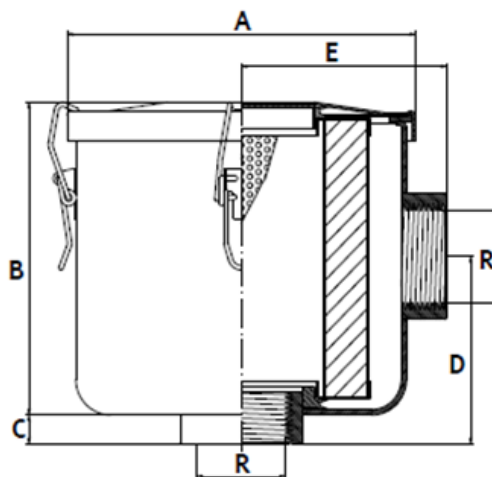
### FILTERHOUSINGS FOR VACUUM PUMPS - INOX

#### Female GAS Threaded Connections - Dimensions

INOX (Stainless Steel) housing

Filtermedia in:

- Reps Mesh INOX 30 micron (.. = / 30 *behind mentioned codes*)
- Reps Mesh INOX 60 micron (.. = / 60 *behind mentioned codes*)



Code	h/m3	R	Type	A	B	C	D	E	KG
EAG-F.X002/..	42	GAS 3/4"	F	110	76	14	53	54	0.56
EAG-F.X003/..	108	GAS 1 1/4"	F	170	141	17	93	96	1.75
EAG-F.X004/..	96	GAS 1 1/4"	F	133	85	17	53	78	0.96
EAG-F.X005/..	192	GAS 1 1/2"	F	170	170	18	124	100	2.10
EAG-F.X006/..	310	GAS 2"	F	200	240	18	124	114	3.80
EAG-F.X006/1/..	360	GAS 2 1/2"	F	200	240	18	124	114	3.90
EAG-F.X007/..	550	GAS 3"	F	270	180	50	145	165	12.5
EAG-F.X008/..	720	GAS 4"	F	270	180	50	145	165	13.8